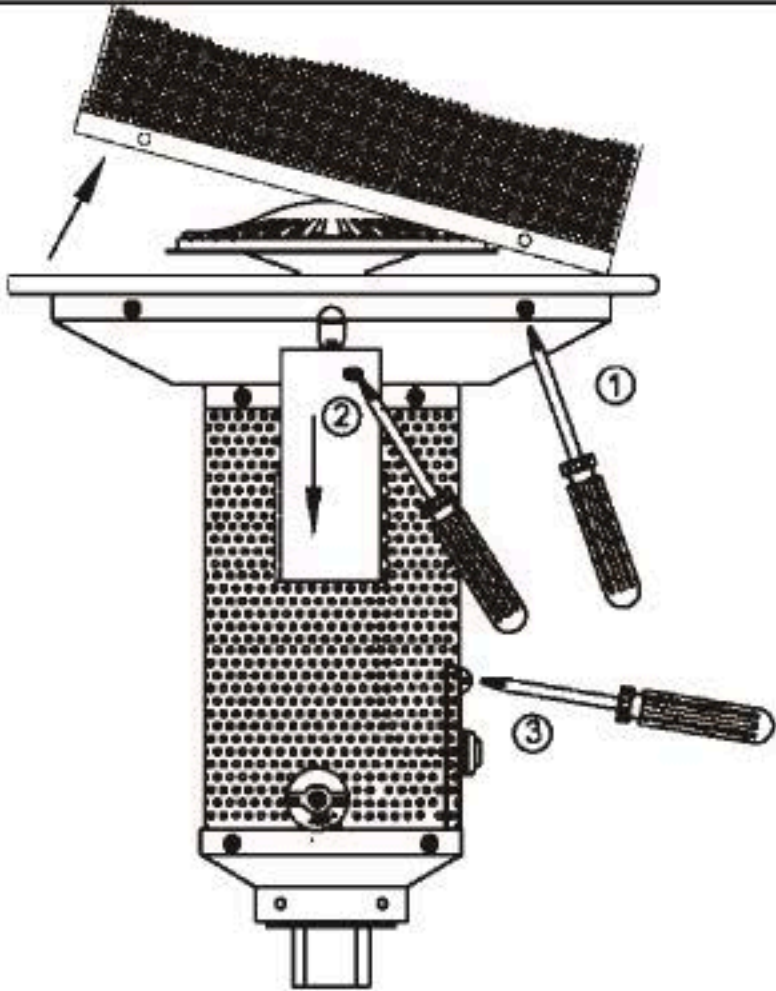


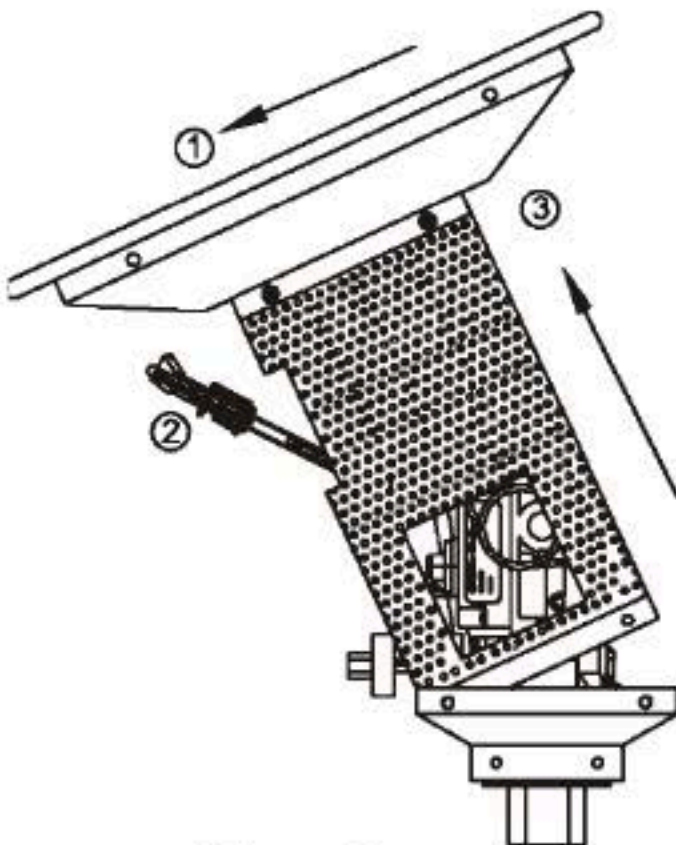
# BASIC HEATER DISASSEMBLY

**⚠ WARNING** Repair and maintenance of Sunglo™ Heaters must be performed by a qualified service technician. Reassembled heater must be thoroughly checked for leaks and checked for proper operation before use.



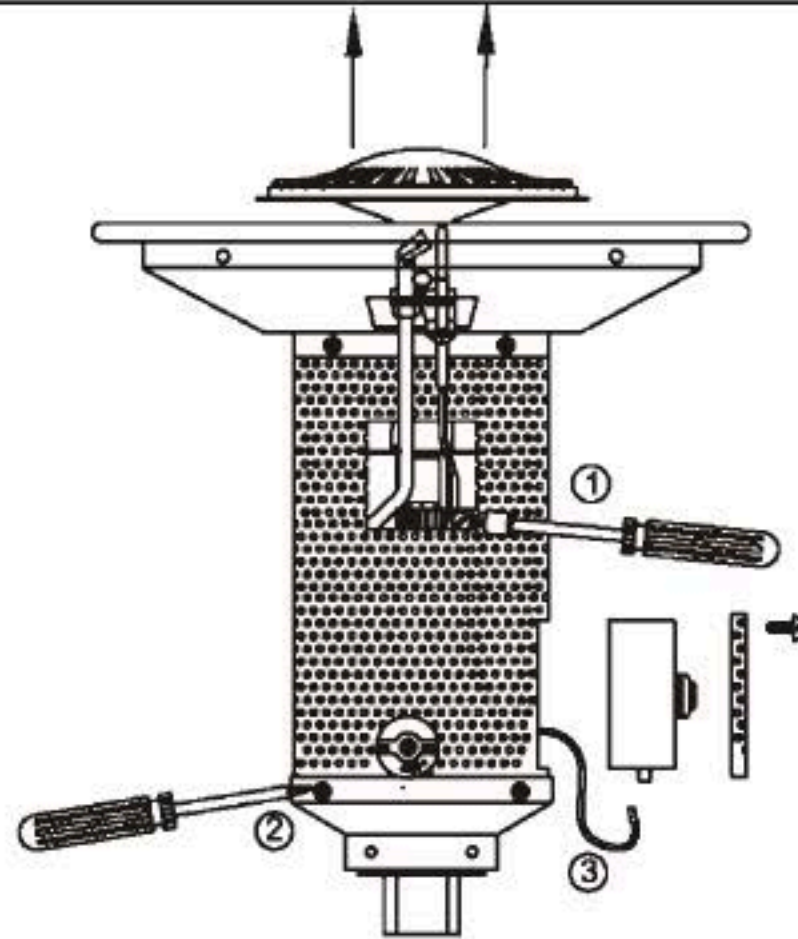
## Step 1

1. Remove four (4) screws and remove the emitter grid.
2. Remove two (2) screws and remove the pilot channel and pilot hole cover
3. Remove one (1) screw and slide out ignition module.



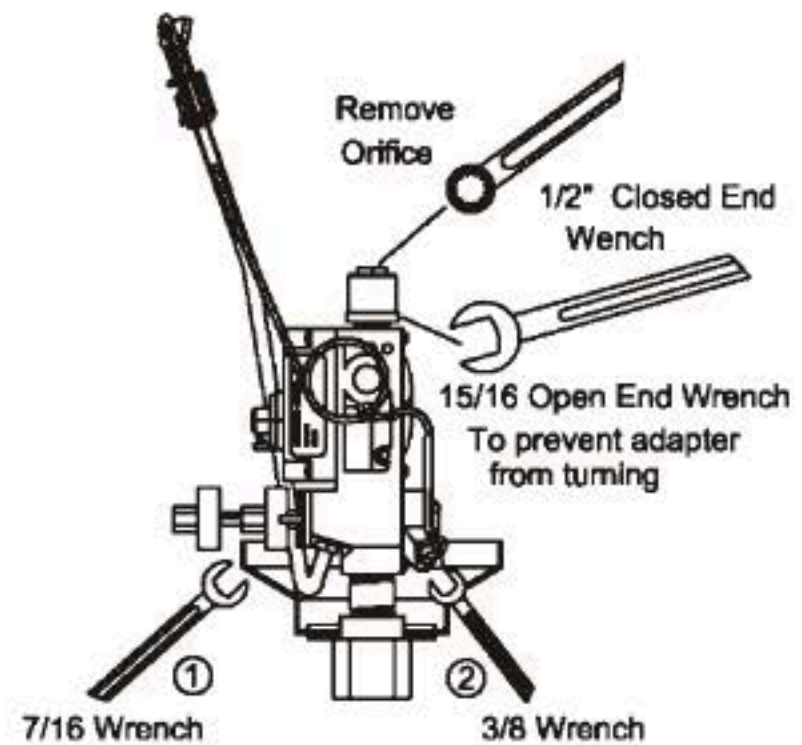
## Step 3

1. Tilt housing toward pilot as shown
2. Free pilot body from housing.
3. Slide housing up over control assembly



## Step 2

1. Loosen hose clamp holding burner in place and remove burner.
2. Loosen four (4) screws on the control base
3. Disconnect Wire from ignition module



## Step 4

1. Loosen Pilot Tubing with 7/16 Wrench
2. Loosen Thermocouple with 3/8 Wrench

Tools Required	
	#2 Phillips Screw Driver
	5/16 Nut Driver
	7/16 Open End Wrench
	3/8 Open End Wrench